

# LEVEL & LEAK DETECTION

## ULTRASONIC LEVEL TRANSMITTER DL10 SERIES ECHOPOD



DL10

### DESCRIPTION

The compact **Flowline EchoPod DL10** ultrasonic level transmitter provides non-contact liquid level measurement up to 49.2" (1.25m) with reversible 4-20 mA output. The **Model DL10** is ideal for corrosive, sticky, and dirty media.

The software offers pre-programmed menus, tank setpoint graphics, and custom wiring diagrams. User can define loop failsafe, start-up condition, output at empty and specific tank levels.

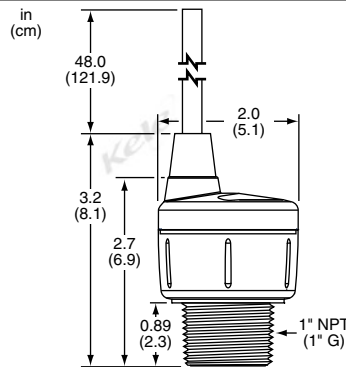
### FEATURES

- **Ideal for small tank applications**
- **Simple configuration**
- **Enclosure designed to be corrosion resistant**
- **Minimal dead band to top of liquid optimizes filling capacity**
- **Adjustable loop failsafe**
- **2" (5.1 cm) beam diameter for restricted spaces**
- **Transmitters can be quickly configured using WebCal software**

### APPLICATION

- **Small atmospheric day tanks**
- **Skid or process vessels**
- **Lift stations**
- **Drums**
- **Sumps**
- **Chemical feed applications**

### DIMENSIONS



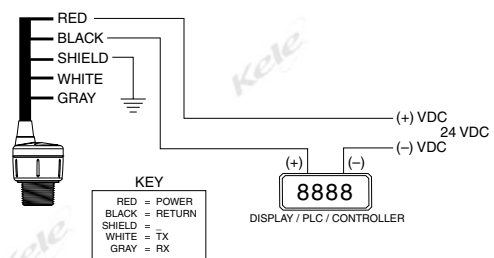
10

LEVEL & LEAK DETECTION

### SPECIFICATIONS

<b>Supply Voltage</b>	24 VDC, 25 mA
<b>Accuracy</b>	±0.125" (3 mm)
<b>Signal Output</b>	4-20 mA @ 400Ω (loop powered)
<b>Measurement Range</b>	2" to 49.2" (50.8 to 1.25m)
<b>Memory</b>	Non-volatile
<b>Deadband</b>	2" (5.1 cm)
<b>Operating Pressure</b>	30 psig (206.9 kPa)
<b>Process Temperature</b>	20° to 140°F (-7° to 60°C)
<b>Beam Width</b>	2" (5.1 cm)
<b>Fail Safe</b>	Signal 4 mA, 20 mA, 21 mA 22 mA, or hold last signal
<b>Resolution</b>	0.019" (0.5 mm)
<b>Temperature Compensation</b>	Automatic
<b>Process Connection</b>	1" NPT
<b>Cable Length</b>	48" (1.2 m)
<b>Operating Temperature</b>	-31° to 140°F (-35° to 60°C)
<b>Enclosure Rating</b>	Polycarbonate, NEMA 6P
<b>Dimensions</b>	3.2"H x 2.0"W x 2.0"D (8.1 x 5.1 x 5.1 cm)
<b>Weight</b>	3.0 lbs (1.4 Kg)
<b>Approvals</b>	CE, FM, RoHS
<b>Warranty</b>	1 year

### TYPICAL WIRING



### ORDERING INFORMATION

MODEL	DESCRIPTION
<b>DL10-00</b>	Ultrasonic level transmitter
<b>DL10-01</b>	Ultrasonic level transmitter with fob

RELATED PRODUCTS	
<b>LI99-1001</b>	Fob calibration key
<b>LM52-1400</b>	2" NPT x 1" NPT (Sch. 40) fitting
<b>LM52-1800</b>	2" NPT x 1" NPT (Sch. 80) fitting
<b>LM52-1850</b>	1" NPT flange (Sch. 80)